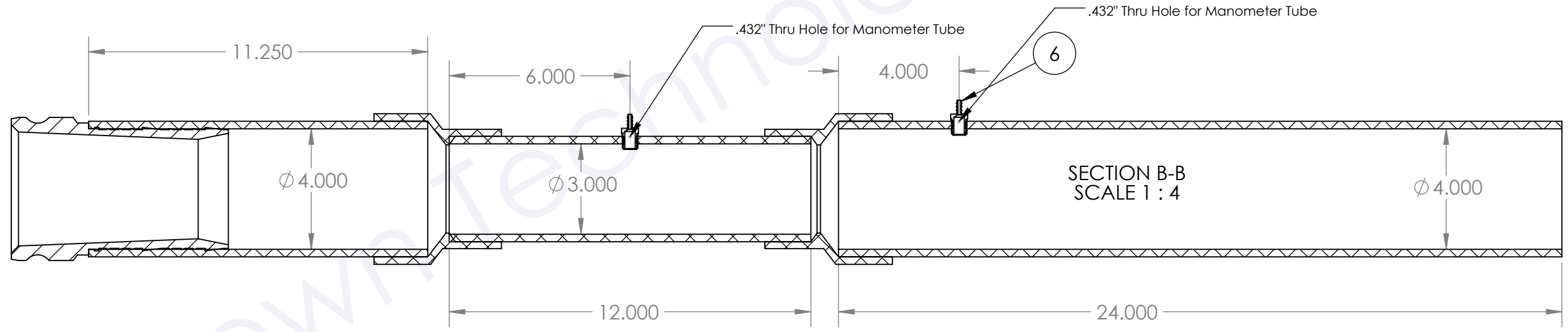
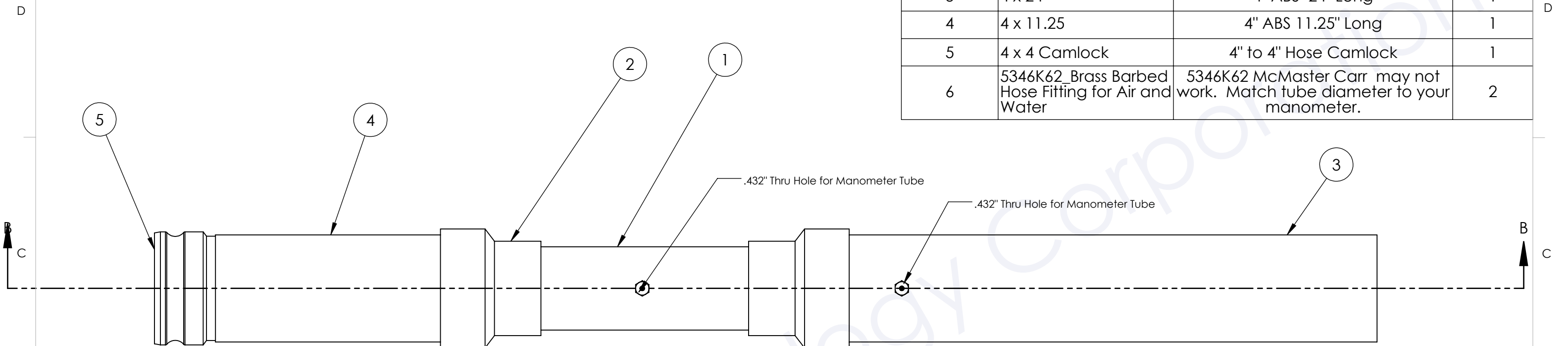


| ITEM NO. | PART NUMBER   | DESCRIPTION  | QTY. |
|----------|---|--|------|
| 1        | 3 x 12  | 3" ABS 12" Long  | 1    |
| 2        | 4 to 3 ABS Bell Reducer                             | 4" to 3" ABS Bell Reducer  | 2    |
| 3        | 4 x 24  | 4" ABS 24" Long  | 1    |
| 4        | 4 x 11.25   | 4" ABS 11.25" Long   | 1    |
| 5        | 4 x 4 Camlock                                       | 4" to 4" Hose Camlock  | 1    |
| 6        | 5346K62_Brass Barbed Hose Fitting for Air and Water | 5346K62 McMaster Carr may not work. Match tube diameter to your manometer. | 2    |



**PROPRIETARY AND CONFIDENTIAL**  
 THE INFORMATION CONTAINED IN THIS DRAWING IS THE SOLE PROPERTY OF MCCOWN TECHNOLOGY CORP. ANY REPRODUCTION IN PART OR AS A WHOLE WITHOUT THE WRITTEN PERMISSION OF MCCOWN TECHNOLOGY CORP IS PROHIBITED.

|                                      |         |                      |      |
|--------------------------------------|---------|----------------------|------|
| UNLESS OTHERWISE SPECIFIED:          |         | NAME                 | DATE |
| DIMENSIONS ARE IN INCHES             |         | DRAWN                |      |
| TOLERANCES:                          |         | CHECKED              |      |
| FRACTIONAL ±                         |         | ENG APPR.            |      |
| ANGULAR: MACH ± BEND ±               |         | MFG APPR.            |      |
| TWO PLACE DECIMAL ±                  |         | Q.A.                 |      |
| THREE PLACE DECIMAL ±                |         | COMMENTS:            |      |
| INTERPRET GEOMETRIC TOLERANCING PER: |         |                      |      |
| MATERIAL                             |         |                      |      |
| FINISH                               |         |                      |      |
| NEXT ASSY                            | USED ON |                      |      |
| APPLICATION                          |         | DO NOT SCALE DRAWING |      |

|             |          |   |              |
|-------------|----------|---|--------------|
| TITLE:      |          | 8401 N Commerce Dr Lakepoint Utah 84074 |              |
| SIZE        | DWG. NO. | REV                                     |              |
| <b>B</b>    | VacMeter |   |              |
| SCALE: 1:12 |          | WEIGHT:                                 | SHEET 1 OF 1 |